

INSTALLATION INSTRUCTIONS



No. 940198



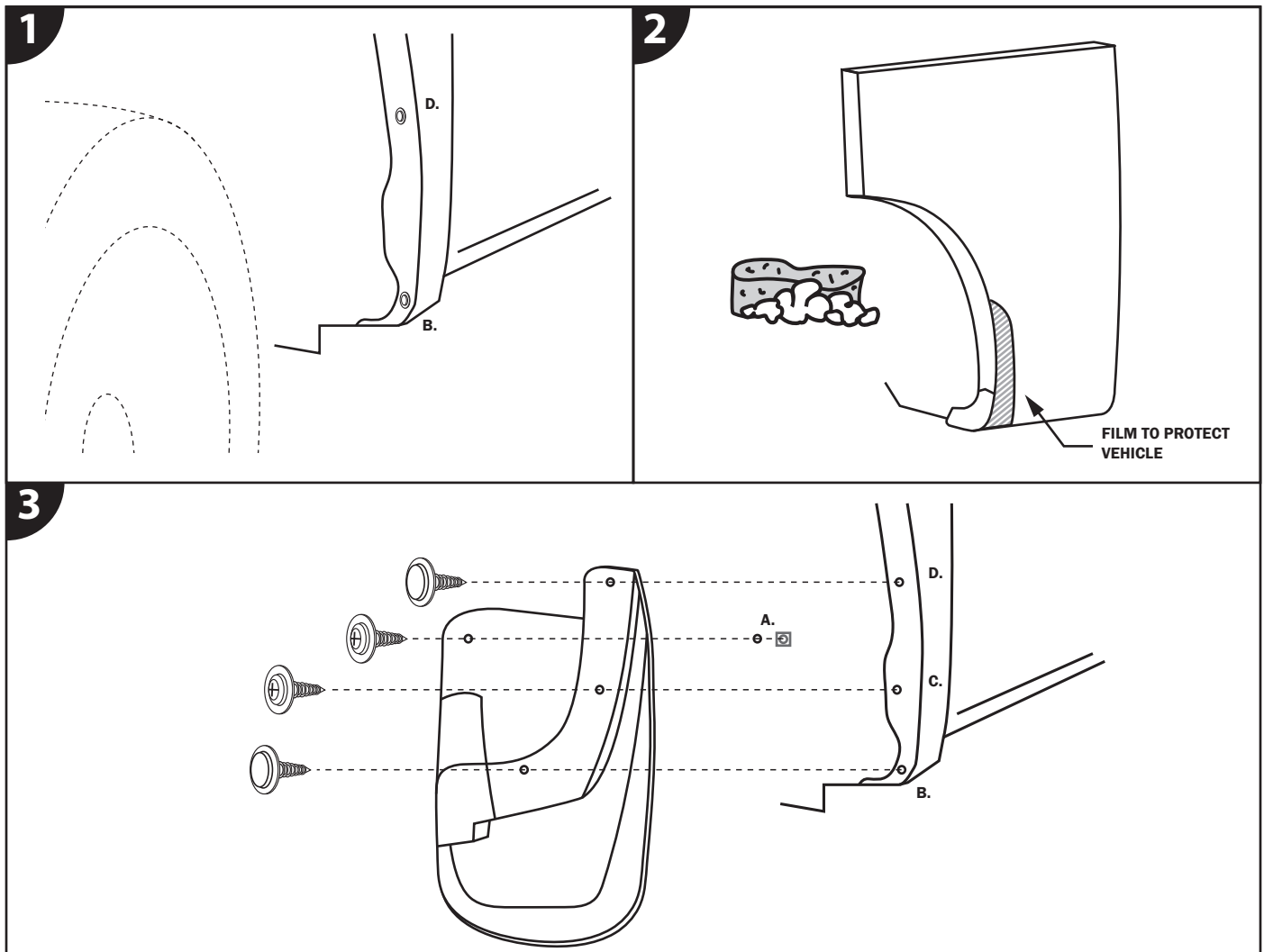
CUSTOM MOLDED FRONT MUD GUARDS FOR FORD SUPER DUTY WITHOUT FENDER FLARES

Tools Needed

- Drill with 1/8" Bit
- Center punch
- Phillips head screwdriver

Included in Box

- Front Mud Guards (for driver & passenger side)
- Film to protect vehicle
- #10 Screws (x4)
- #10 Washers (x4)
- U-Clips (x2)



Repeat Steps 1-3 for Driver & Passenger Side

STEP 1. Remove factory installed screws.

- a. Remove your existing factory screws from locations B and D. Save them for later.

STEP 2. Apply film to protect vehicle.

- a. Using a clean cloth or wet alcohol pad, clean the area on the fender where the film (to protect vehicle) will be placed.
- b. Use soapy water to wet film, fender, and fingers for a wet film installation. Apply film in location shown in diagram, with adhesive side of film towards the vehicle. Apply pressure and smooth out film with a squeegee or sponge and allow to dry.

STEP 3. Install mud guards.

- a. Using your existing factory fasteners, attach the mud guard at locations B and D.
- b. Use the mud guard as a template to mark and then drill a 1/8" hole at location A and C.
- c. Install #10 Screw and Washer into newly-drilled hole at location C.
- d. At location A, use U-Clip as a nut and install a #10 Screw and Washer through the mud guard into a U-Clip behind fender liner.



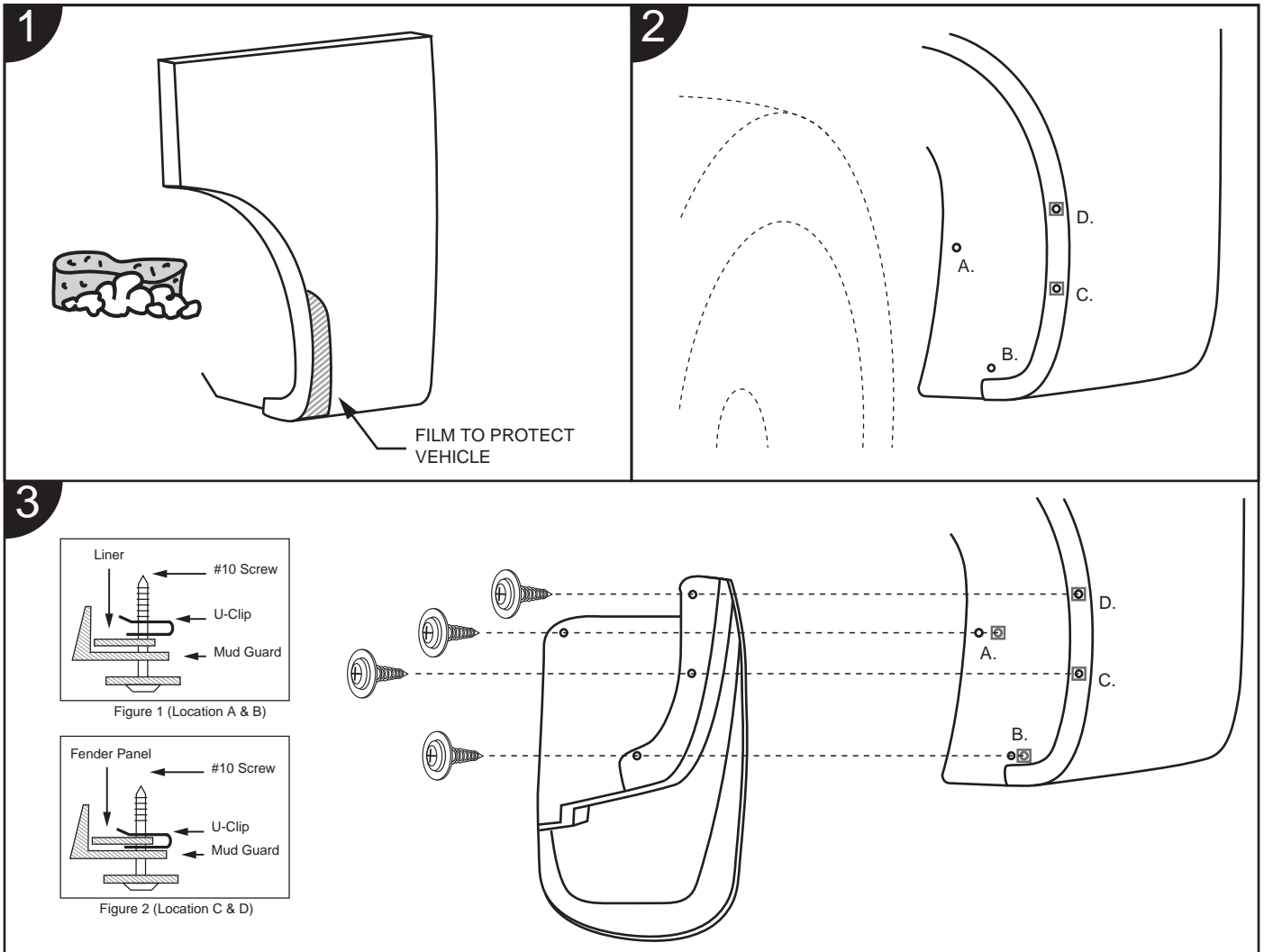
CUSTOM MOLDED REAR MUD GUARDS FOR FORD SUPER DUTY WITHOUT FENDER FLARES

Tools Needed

- Drill with 1/8" Bit
- Center punch
- Phillips head screwdriver

Included in Box

- Rear Mud Guards (for driver & passenger side)
- Film to protect vehicle
- #10 Screws (x8)
- #10 Washers (x8)
- U-Clips (x8)



Repeat Steps 1-3 for Driver & Passenger Side

STEP 1. Apply film to protect vehicle.

- Using a clean cloth or wet alcohol pad, clean the area on the fender where the film (to protect vehicle) will be placed.
- Use soapy water to wet film, fender, and fingers for a wet film installation. Apply film in location shown in diagram, with adhesive side of film towards the vehicle. Apply pressure and smooth out film with a squeegee or sponge and allow to dry.

STEP 2. Install U-Clips.

- Install U-Clip at location C (Figure 2)
- Install U-Clip at location D (Figure 2)

STEP 3. Install mud guards.

- Using #10 Screw and Washer attach mud guard at locations C and D.
- At location B, use U-Clip as a nut and install a #10 Screw and Washer through the mud guard and fender liner, and into U-Clip (Figure 1)
- Use the mud guard as a template to drill 1/8" holes at location A.
- Install #10 Screw and Washer at location A through mud guard into U-Clip behind the fender (Figure 1)